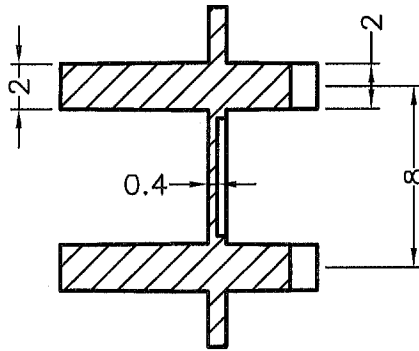
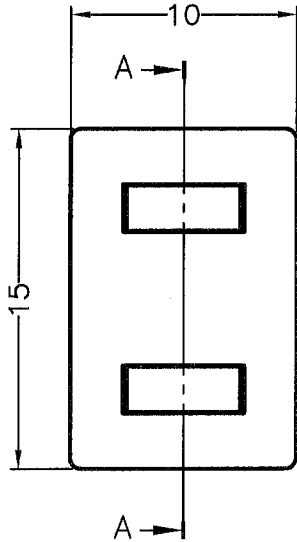
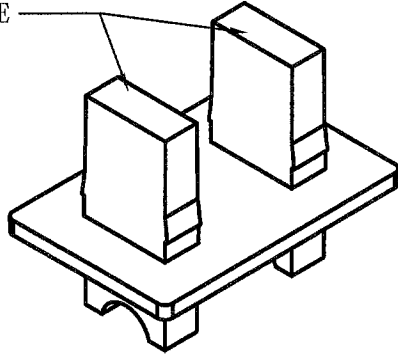


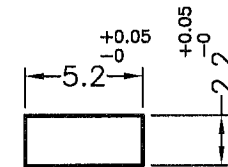
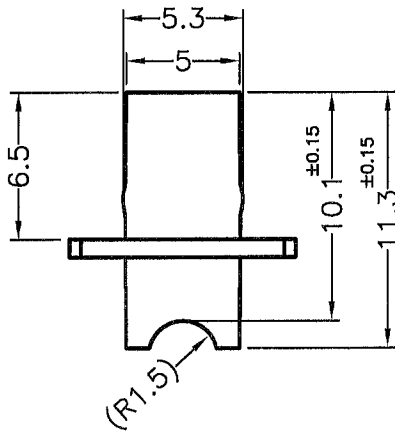
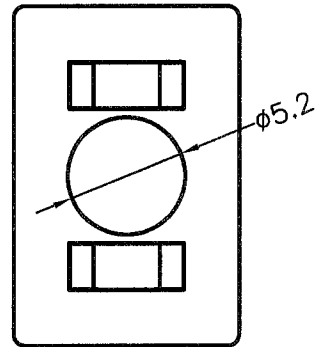
DIM.	TOL
L≤10	±0.2
10<L≤30	±0.3
30<L≤50	±0.5
50<L≤100	±0.7
100<L≤250	±1.2
ABOVE 250	±1.5

REVISIONS			
REV	DESCRIPTION	DATE	BY

FOG-FACE TEXTURE




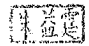

SECTION A-A



MOUNTING HOLE THICKNESS 1.0

PART NO.	MATERIAL
LEM-106	PC UL94V-2
LEM-106V0	PC UL94V-0

NOTE: All measurement does not include gate which raises under 0.3mm.

 <p>康揚企業股份有限公司 KANG YANG HARDWARE ENTERPRISE CO., LTD. 康揚塑膠(東莞)有限公司 KANG YANG PLASTIC(DONG GUAN) CO., LTD. 康哲電腦配件(吳江)有限公司 KANG CHE COMPUTER COMPONENTS(WUJIANG) CO., LTD.</p>				TITLE	LIGHT PIPE	SPEC. DWG.	
				MATERIAL	SEE ABOVE	DATE	2011.03.22
				HARDNESS		DRAWN	SAI
				COLOR	CLEAR	CHECK	
PART NUMBER	SEE ABOVE	DRAWING NUMBER	LEM-106	UNLESS OTHERWISE SPECIFIED TOLERANCE	SEE ABOVE	APPROVED	
SIZE	A4	SCALE	3:1	UNIT	mm	REV	C