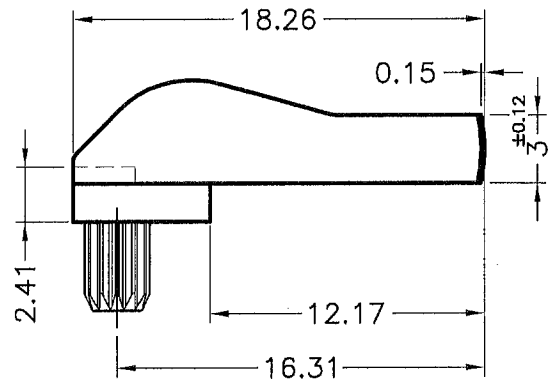
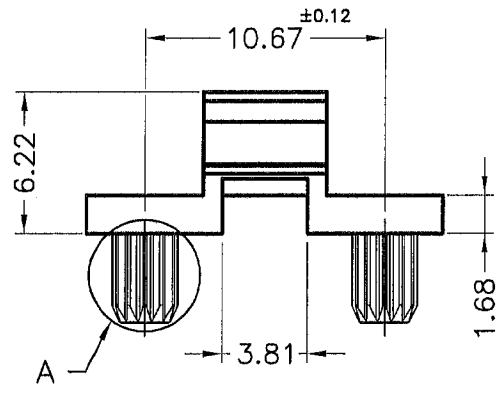
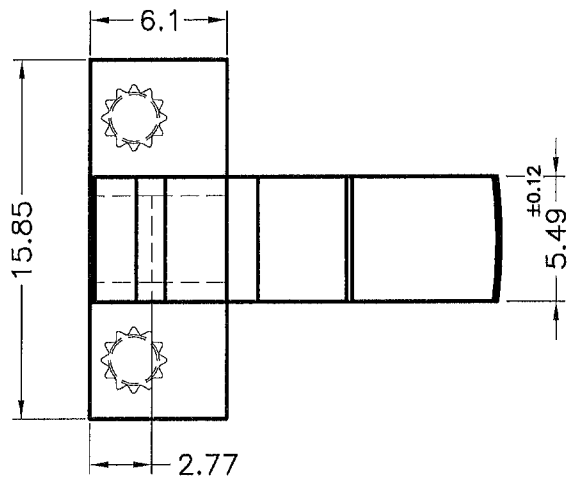
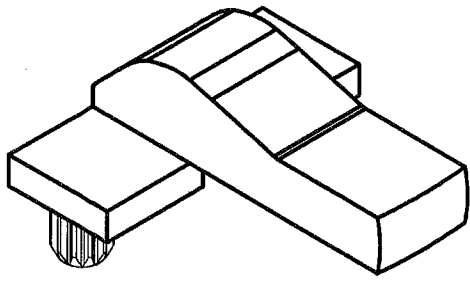
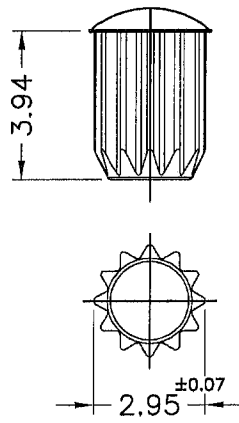


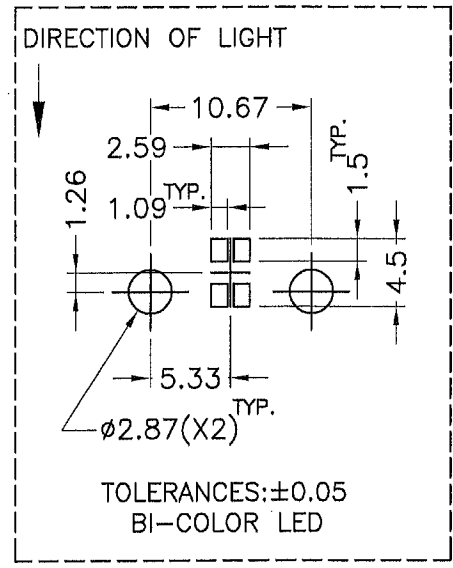
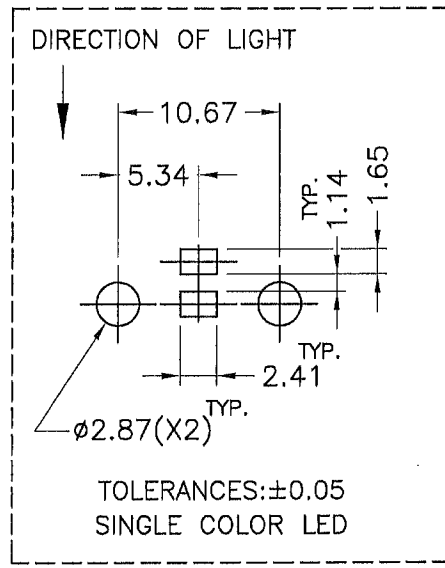
REVISIONS			
REV	DESCRIPTION	DATE	BY




RECOMMENDED HOLE PATTERN GAUGE/SOLDER PAD LAYOUT



DETAIL A
SCALE 5:1




 康揚企業股份有限公司
 KANG YANG HARDWARE ENTERPRISE CO., LTD.
 康揚塑膠(東莞)有限公司
 KANG YANG PLASTIC(DONG GUAN) CO., LTD.
 康哲電腦配件(吳江)有限公司
 KANG CHE COMPUTER COMPONENTS(WUJIANG) CO., LTD.

TITLE LIGHT PIPE
 MATERIAL PC UL94V-0
 FINISH
 COLOR CLEAR

SPEC. DWG.
 DATE 2014.07.09
 DRAWN Emily
 CHECK

PART NUMBER SLP-3V0
 DRAWING NUMBER SLP-3V0
 SIZE A4 SCALE 3:1 UNIT mm REV A

UNLESS OTHERWISE SPECIFIED TOLERANCE ±0.25

APPROVED
