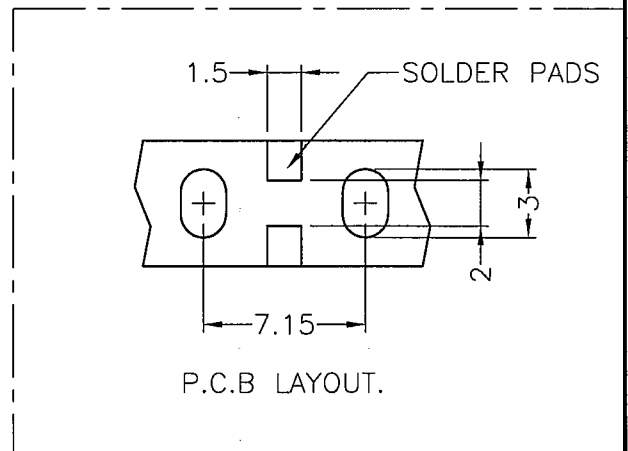


NOTE: 1. SHRINKING IS NORMAL STATUS.  
 內縮為正常現象.  
 2. MADE OF EQUIVALENT MATERIAL.  
 均可使用同等材質.



**K**  
 ISO 9001  
 ISO 14001  
 QC 080000  
 IATF 16949

康揚企業股份有限公司  
 KANG YANG HARDWARE ENTERPRISE CO., LTD.  
 康揚塑膠(東莞)有限公司  
 KANG YANG PLASTIC(DONG GUAN)CO., LTD.  
 康哲電腦配件(吳江)有限公司  
 KANG CHE COMPUTER COMPONENTS(WUJIANG)CO., LTD.

PROPRIETARY AND CONFIDENTIAL THE INFORMATION CONTAINED IN THIS DRAWING IS THE SOLE PROPERTY OF KANG YANG HARDWARE ENTERPRISE CO. ANY REPRODUCTION IN PART OR AS A WHOLE WITHOUT THE WRITTEN PERMISSION OF KANG YANG HARDWARE ENTERPRISE CO. IS PROHIBITED. DO NOT SCALE DRAWING	DATE 2003.06.05	TITLE LIGHT PIPE		DWG. NO. LPE1-5-16V0		PART NO. LPE1-5-16V0	
	DRAWN SCOTT	MATERIAL PC UL94V-0		SIZE A4		SPEC. DWG.	
CHECKED 林祺翔	COLOR TRANSPARENT	FINISH		REV A		SHEET 1 OF 1	
APPROVED Kang	UNLESS OTHERWISE SPECIFIED TOLERANCE: SEE ABOVE		SCALE: 3:1		UNIT mm		