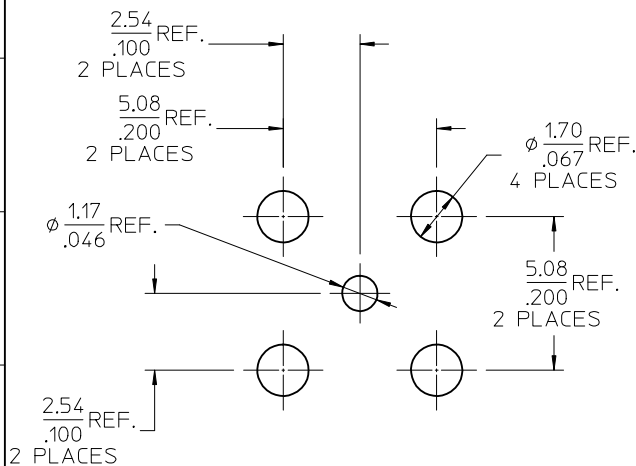
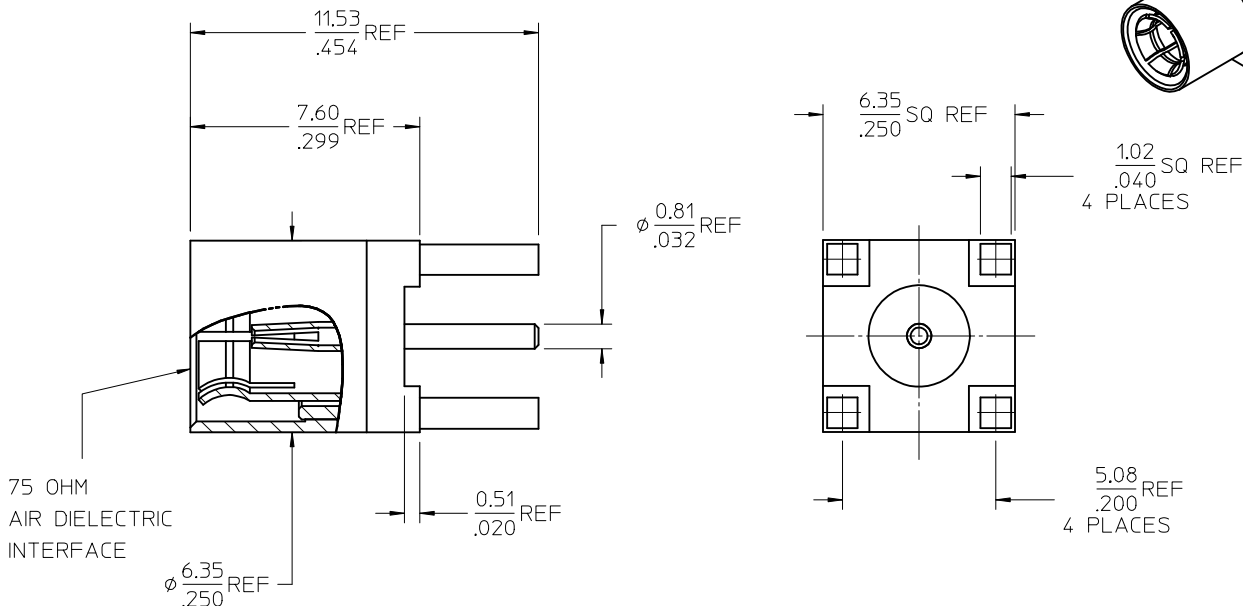
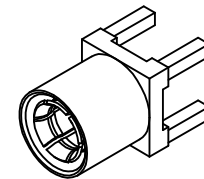


MATERIALS AND FINISHES

BODY: BRASS
PLATED GOLD

CENTER CONTACT, OUTER CONTACT: BERYLLIUM COPPER
PLATED GOLD

INSULATOR: TEFLON

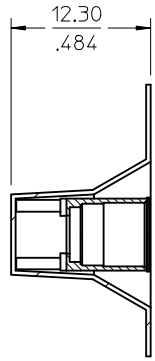


RECOMMENDED PCB LAYOUT

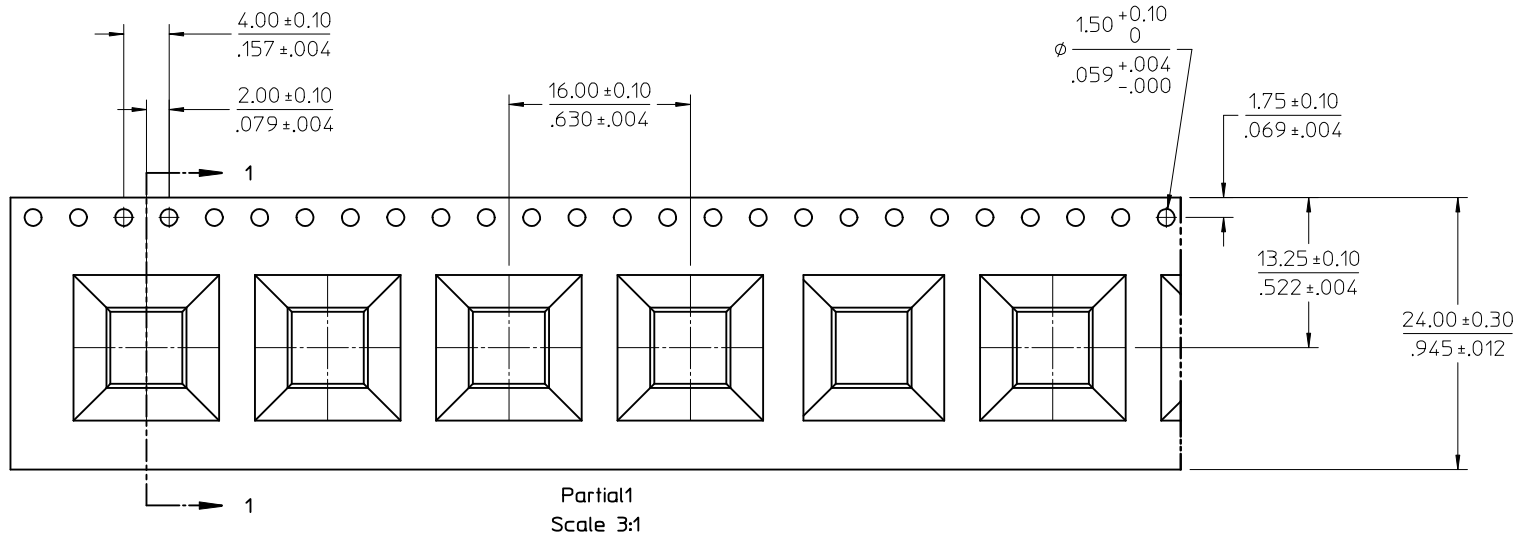
MIL-STD-348A, FIG. 311.2	INTERFACE
SPECIFICATION	DESCRIPTION

73404-6342	PACKAGE BY T&R W/O KAPTON
73404-6341	PACKAGE BY T&R W/ KAPTON
73404-6340	PACKAGE BY TRAY
PART NO.	DESCRIPTION

ADDED -6341/-6342 PER PDR15011846	EC NO: URF2015-0374	DRWN:ELIN 2015/01/19	CHKD: APPR:YCHENG 2015/07/13	DESCRIPTION	QUALITY SYMBOLS	GENERAL TOLERANCES (UNLESS SPECIFIED)		DIMENSION STYLE		SCALE	DESIGN UNITS	THIRD ANGLE PROJECTION
						mm	INCH	MM/IN	8:1	METRIC		
4 PLACES ± --- ± ---						DRAWN BY		DATE		TITLE		
3 PLACES ± --- ± ---						EL IN		2014/08/19		SMB PLUG 75 OHM VERTICAL		
2 PLACES ± --- ± ---						CHECKED BY		DATE		PCB TH		
1 PLACE ± --- ± ---						ALEX		2014/08/19		SMB-P/PCB		
0 PLACE ± --- ± ---						APPROVED BY		DATE		molex		
ANGULAR ± 2 °						YCHENG		2014/11/11				
DRAFT WHERE APPLICABLE MUST REMAIN WITHIN DIMENSIONS						MATERIAL NO.		DOCUMENT NO.		SHEET NO.		
SEE TABLE						SD-73404-634		1 OF 4		THIS DRAWING CONTAINS INFORMATION THAT IS PROPRIETARY TO MOLEX INCORPORATED AND SHOULD NOT BE USED WITHOUT WRITTEN PERMISSION		

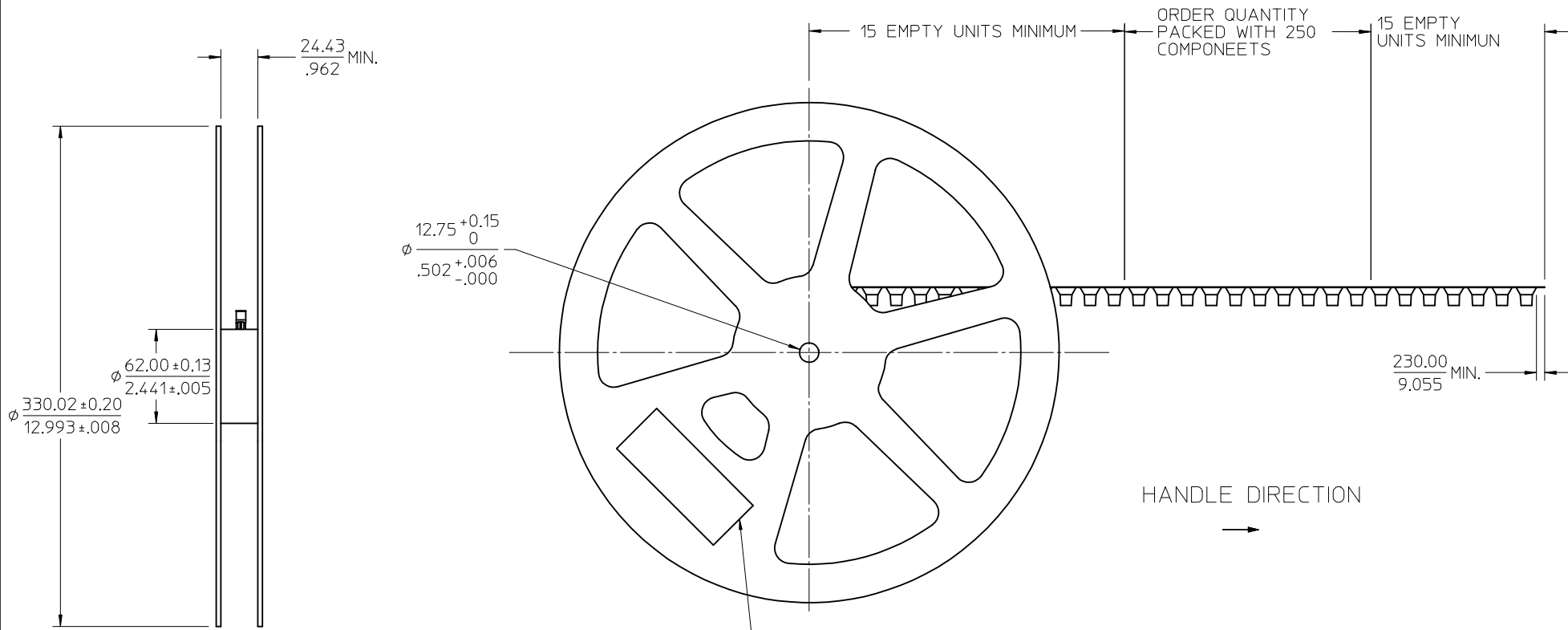


Section 1-1



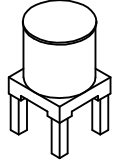
Partial1
Scale 3:1

SEE SHEET 1 EC NO: URF2015-0374 DRWNLIN 2015/01/19 CHKD: APPR: YCHENG 2015/07/13	QUALITY SYMBOLS	GENERAL TOLERANCES (UNLESS SPECIFIED)		DIMENSION STYLE	SCALE	DESIGN UNITS	THIRD ANGLE PROJECTION
	▽=0	mm	INCH	MM/IN	3:1	METRIC	☉
	▽=0	4 PLACES ± ---	± ---	DRAWN BY	DATE	TITLE	
	▽=0	3 PLACES ± ---	± ---	EL IN	2014/08/19	SMB PLUG 75 OHM VERTICAL PCB TH SMB-P/PCB	
REV	DESCRIPTION	ANGULAR ± 2 °		CHECKED BY	DATE	DOCUMENT NO.	
A1		DRAFT WHERE APPLICABLE MUST REMAIN WITHIN DIMENSIONS		ALEX	2014/08/19	SD-73404-634	
				APPROVED BY	DATE	SHEET NO.	
				YCHENG	2014/11/11	2 OF 4	
				MATERIAL NO.	THIS DRAWING CONTAINS INFORMATION THAT IS PROPRIETARY TO MOLEX INCORPORATED AND SHOULD NOT BE USED WITHOUT WRITTEN PERMISSION		
				SEE SHEET 1			

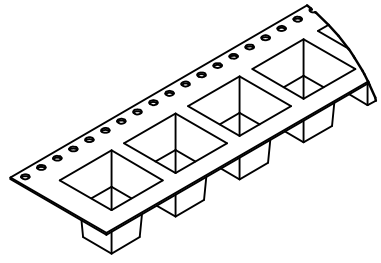


- ORDER QUANTITY PACKED WITH 250 COMPONEETS
- 15 EMPTY UNITS MINIMUM
- 15 EMPTY UNITS MINIMUM
- HANDLE DIRECTION →
- 230.00 / 9.055 MIN.
- 24.43 / .962 MIN.
- 12.75 +0.15 / 0
- .502 +.006 / -.000
- 62.00 ± 0.13 / 2.441 ± .005
- 330.02 ± 0.20 / 12.993 ± .008
- ORDER
- QUANTITY
- PART NUMBER
- LOT NO.

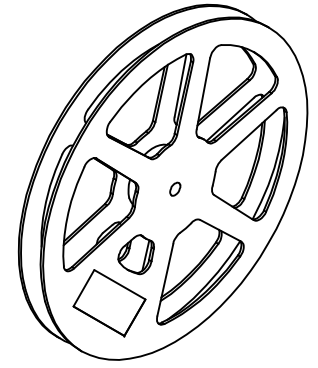
SEE SHEET 1 EC NO: URF2015-0374 DRAWN BY: DRWNLIN 2015/01/19 CHKD: APPR: YCHENG 2015/07/13	QUALITY SYMBOLS	GENERAL TOLERANCES (UNLESS SPECIFIED)		DIMENSION STYLE	SCALE	DESIGN UNITS	THIRD ANGLE PROJECTION
	▽=0	mm	INCH	MM/IN	1:2	METRIC	☉
	▽=0	4 PLACES ± ---	± ---	DRAWN BY DATE	TITLE		
	▽=0	3 PLACES ± ---	± ---	EL IN 2014/08/19	SMB PLUG 75 OHM VERTICAL PCB TH SMB-P/PCB		
REV	DESCRIPTION	2 PLACES ± ---	± ---	CHECKED BY DATE	molex		
A1		1 PLACE ± ---	± ---	ALEX 2014/08/19			
		0 PLACE ± ---	± ---	APPROVED BY DATE	THIS DRAWING CONTAINS INFORMATION THAT IS PROPRIETARY TO MOLEX INCORPORATED AND SHOULD NOT BE USED WITHOUT WRITTEN PERMISSION		
		ANGULAR ± 2 °		YCHENG 2014/11/11			
DRAFT WHERE APPLICABLE MUST REMAIN WITHIN DIMENSIONS		SIZE		SEE SHEET 1			



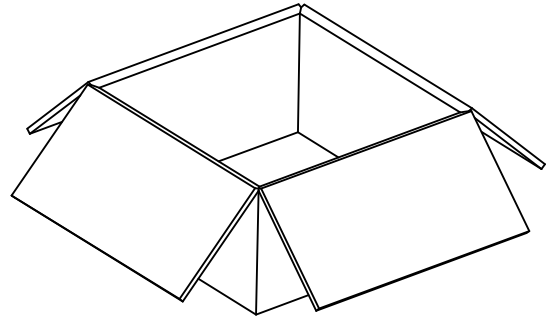
P/N: 73404-634*



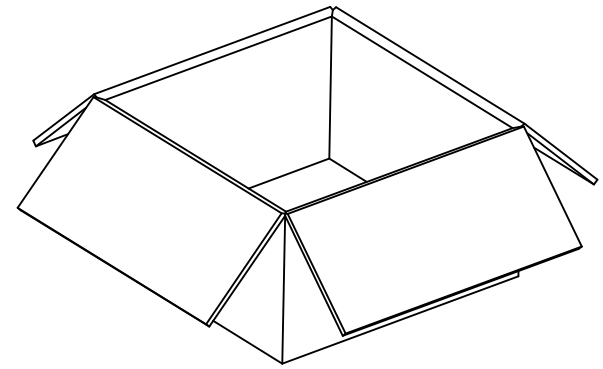
Partial2
Scale 1.5:1



250 SET PER 13" REEL



1250 SET PER INNER
CARTON BOX
343 X 343 X 188 REF.



1250 SET PER OUTER
CARTON BOX
394 X 391 X 212 REF.

SEE SHEET 1 EC NO: URF2015-0374 DRAWN BY: DRWNLIN 2015/01/19 CHKD: APPR: YCHENG 2015/07/13 REV: A1	QUALITY SYMBOLS	GENERAL TOLERANCES (UNLESS SPECIFIED)		DIMENSION STYLE MM/IN		SCALE 4:1	DESIGN UNITS METRIC	THIRD ANGLE PROJECTION	
	▽=0	mm	INCH	DRAWN BY	DATE	TITLE SMB PLUG 75 OHM VERTICAL PCB TH SMB-P/PCB			
	▽=0	4 PLACES ± ---	± ---	EL IN	2014/08/19				
	▽=0	3 PLACES ± ---	± ---	CHECKED BY	DATE	molex DOCUMENT NO. SD-73404-634 SHEET NO. 4 OF 4			
	▽=0	2 PLACES ± ---	± ---	ALEX	2014/08/19				
	1 PLACE ± ---	± ---	APPROVED BY	DATE	THIS DRAWING CONTAINS INFORMATION THAT IS PROPRIETARY TO MOLEX INCORPORATED AND SHOULD NOT BE USED WITHOUT WRITTEN PERMISSION				
	0 PLACE ± ---	± ---	YCHENG	2014/11/11					
		ANGULAR ± 2 °		MATERIAL NO.					
		DRAFT WHERE APPLICABLE MUST REMAIN WITHIN DIMENSIONS		SEE SHEET 1					