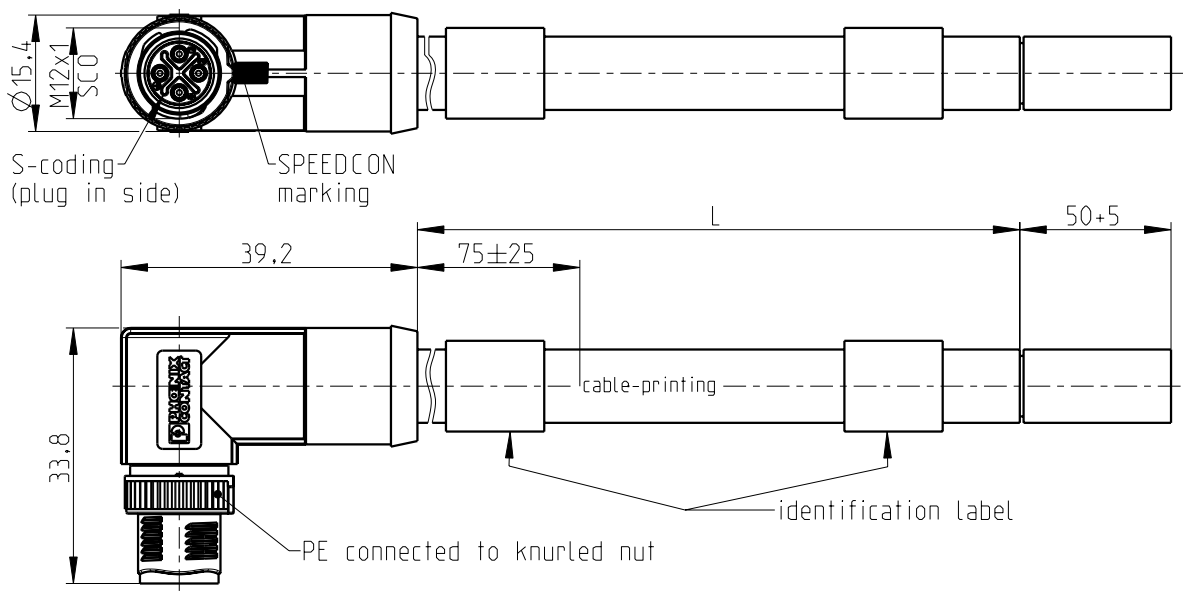


The copying, distribution and utilization of this document as well as the communication of the contents to others without expressed authorization is prohibited according to §18 UWG German Law. Offenders will be held liable for the payment of damages according to §19 UWG German Law. All rights reserved, in particular the right to carry out patent, utility model or ornamental design registrations.

Weitergabe sowie Vervielfältigung dieses Dokuments, Verwertung und Mitteilung seines Inhalts gem §18 UWG verboten, soweit nicht ausdrücklich gestattet. Zuwiderhandlungen verpflichten zu Schadensersatz (§19 UWG). Alle Rechte vorbehalten, insbesondere das Recht, Patent-, Gebrauchsmuster- oder Geschmacksmusteranmeldungen durchzuführen. CONINVERS GmbH Heisenbergstrasse 1 D-71083 Herrenberg

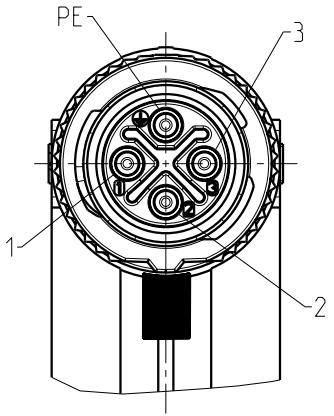
| Mechanical data (according to IEC 61076-2-101) | | Material | |
|---|-------------------------|--------------------|--------------------|
| no. of poles / coding | 3+PE / S | housing / surface | GD-Zn / Ni |
| contact termination | crimp / pin | contact carrier | PA 6 / UL 94 V0 |
| contact-∅ | 1.5mm | colour | black |
| temperature range | -40 °C / +85 °C | cable | PUR |
| protection class | IP 66 / IP 67 | cross section | 1,5mm ² |
| mating cycles | > 100 | contacts / surface | CuZn / Au |
| locking system | M12 Standard / SPEEDCON | sealing gasket | NBR |
| | | overmold / colour | TPU / black |

further information:
- see technical data M12-4



The specified electrical and mechanical data require a correctly locked pair of connectors. If the connector is unlocked and if there is a danger of contamination, the connector must be sealed using a protective cap >IP54. Influences from wires, cables or PCB mounting are also to be taken into consideration.

View of pin assignment
Plug-in side



Pin layout

| pin | colour |
|-----|--------------|
| 1 | black "1" |
| 2 | black "2" |
| 3 | black "3" |
| PE | green/yellow |

| order-no. | L (m) | cable-printing |
|-----------|-------|--|
| 1408839 | 1,0 | Art.-Nr. 1408839 1,0m PUR 4x1,5 KW/JJ |
| 1408840 | 2,0 | Art.-Nr. 1408840 2,0m PUR 4x1,5 KW/JJ |
| 1408841 | 5,0 | Art.-Nr. 1408841 5,0m PUR 4x1,5 KW/JJ |
| 1408842 | 10,0 | Art.-Nr. 1408842 10,0m PUR 4x1,5 KW/JJ |

| | | | | | | | |
|---|------|----------------------------|---------------------------------------|---|--|------------------|--|
| general tolerance acc. to DIN ISO 2768-c | | technical changes reserved | | Index 1 / 2012-12-17 | | scale: 1:1 | |
| design | date | description: | | M12 Power, 4-pole pin overmolded, angled, AC, unshielded | | page: 1 of: 1 | |
| chk. | name | | | | | | |
| | | order-no.: | see chart | | | | |
| | | article designation: | SAC-4P-MRS/ L (see chart) -PUR PE SCO | | | | |
| | | doc.-no.: | 00700134 | | | | |