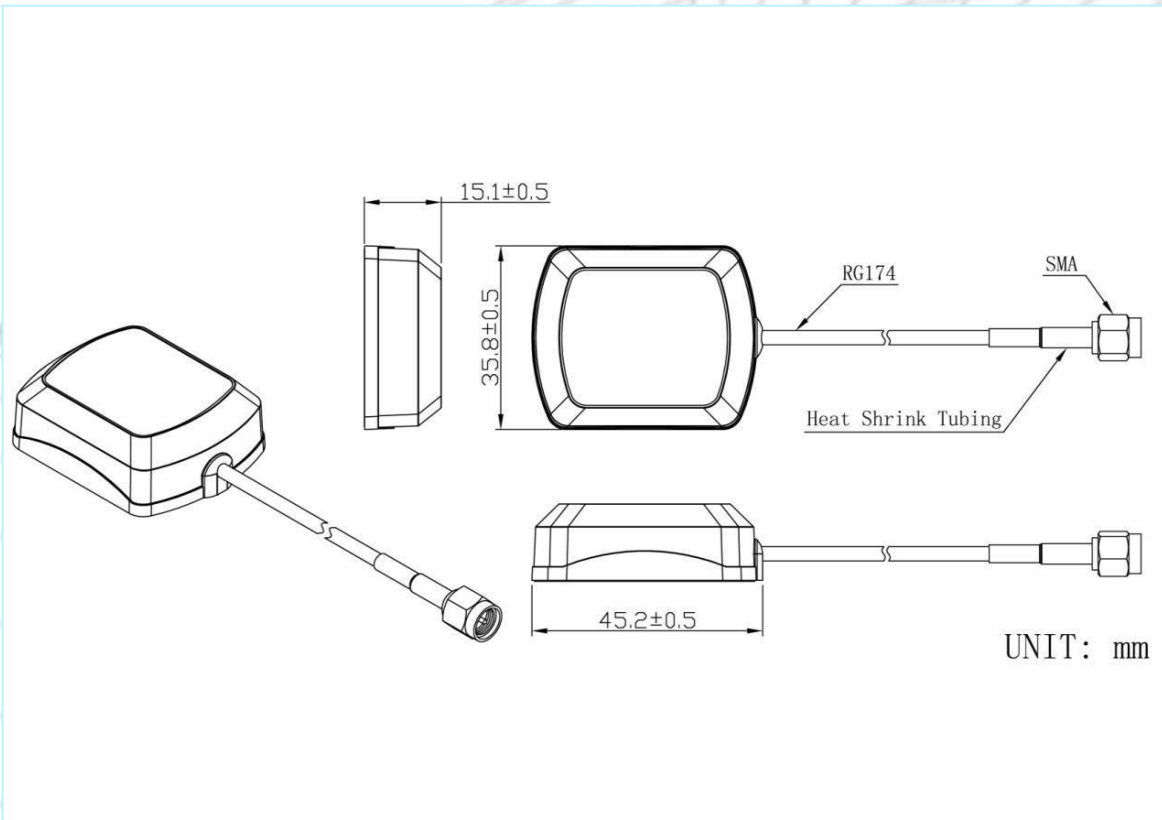


# Active GPS and GLONASS Antenna Rectangular Shape AN\_GPS\_A002



## Mechanical Dimension



## GPS Active Antenna

### Specifications

Item	Specifications	
Antenna	Frequency Range	1561.098~1610MHz
	Band Width	CF ± 5MHz
	Polarization	RHCP
	Gain	2dBic (Zenith)
	V.S.W.R	< 1.5
	Impedance	50Ω
	Axial Ratio	3dB (max)
	Dimension	35.8*45.2*15.1mm
LNA	Gain	28 ± 2dB
	Noise Figure	< 1.5dB
	Filter Insertion Loss	< 3dB
	Ex-band Attenuation	12dB@CF+50MHz/16dB@CF-50MHz
	Supply Voltage	2.2~5V DC
	Current Consumption	< 15mA
	V.S.W.R	< 2.0
Mechanical	Cable	RG174
	Connector	SMA
	Radome Material	ABS
	Mounting Method	Magnet/Adhesive
Environmental	Operating Temperature	-40°C ~ +85°C
	Relative Humidity	Up to 95%
	Ingress Protection	IP65~IP67
	Vibration	10 to 55Hz with 1.5mm amplitude 2hours
	Environmentally Friendly	ROHS Compliant

# GPS Active Antenna

## Radiation Patterns

