

**1 Products affected**

Product hierarchy no. *				Part no.	SBU	Type / Description	Customer part no.
SBU	PG	PGU	Type				
01	002	002	0000000507	0031.1361	Circuit Protection	FIO	n/a
				0031.1362			n/a
				0031.1363			n/a
				0031.1364			n/a
				0031.1381			n/a
				0031.1382			n/a
				0031.1383			n/a
				0031.1384			n/a
				0031.9908			n/a

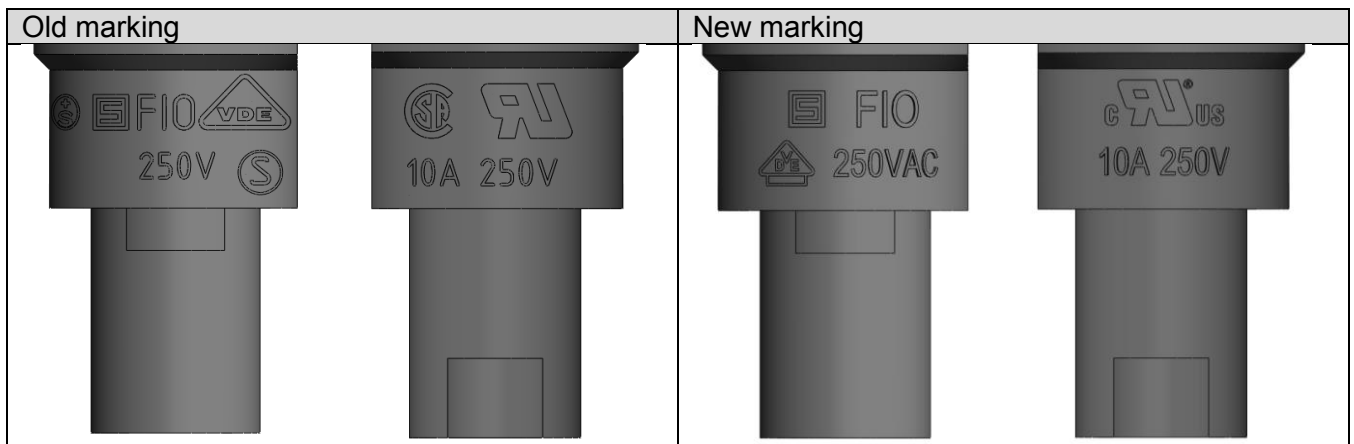
\*SBU (2-digit) / PG (3-digit) / PGU (3-digit) / Type (10-digit)

**2 Type of change**

Modification of approval marks.

**3 Detailed description of change**

Old marking	New marking
UR	cURus
CSA	250VAC
250V	
Semko	
SEV	VDE
VDE ÜG	
10A 250V	10A 250V



**4 Reason of change**

- New approval mark by VDE
- Consolidation of North American approval marks with the combined cURus mark

**5 Release date**

The change will be rolled-out starting ww 11/2016 (Date code 1611 or higher on label)

**6 Impact of change and recommended action**

Form	No	There are no form changes, only markings adjusted
Fit	No	There are no dimensional changes
Function	No	This is a non-functional change
Production Site	No	There is no change of the production site

Product Change Notification					FIO marking		
owner	creation date	release date	released by	change order no	rev	page	D10-001-931
dislercy	2016-02-26	2016-03-04	bergerra	2009318	A	1 of 2	

Product Label	Yes	CSA and UR replace by cURus mark SEMKO and SEV marks replaced by VDE Add of electrical ratings
Customer Actions	No	Notification only

## 7 Reference Documents / Attachments

Kind of document	Remarks
<a href="#">Data sheet</a>	

Product Change Notification					FIO marking		D10-001-931
owner	creation date	release date	released by	change order no	rev	page	
dislercy	2016-02-26	2016-03-04	bergerra	2009318	A	2 of 2	