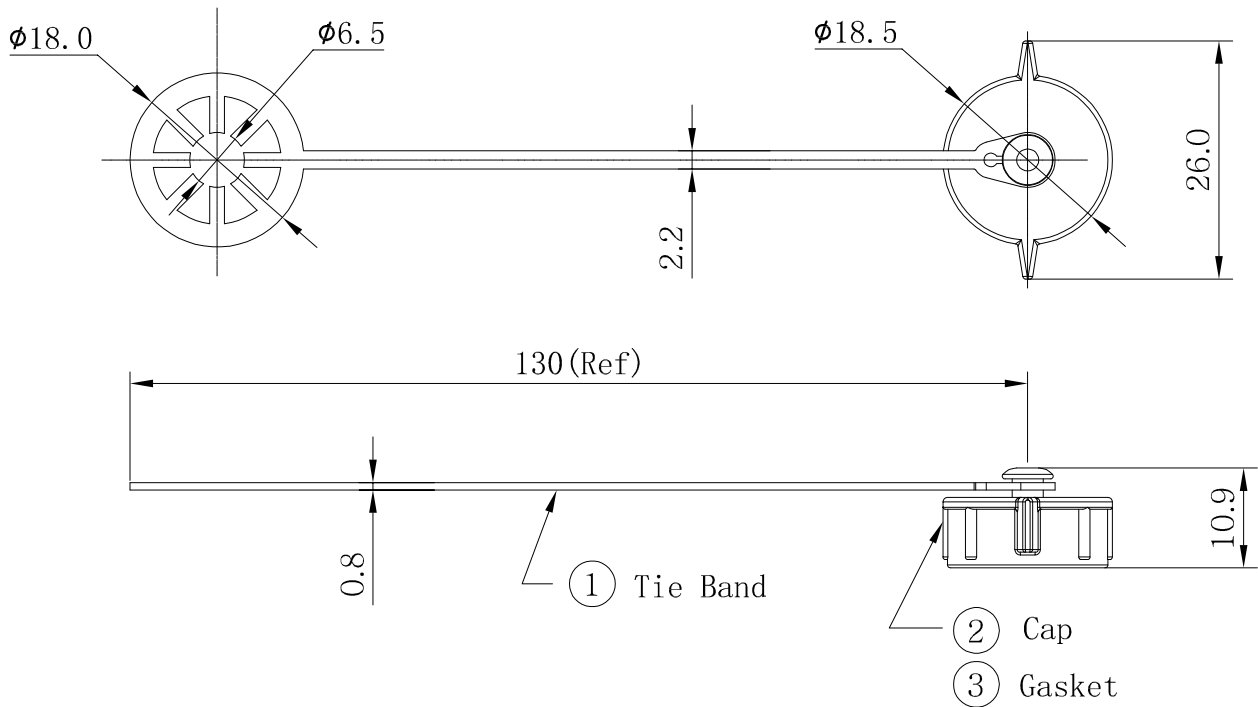


REV.	ECN NO.	DESCRIPTION	SIGN	DATE
C1	N/A	INITIAL DRAWING	Yumer	2020/05/14



Specification:
 1.* Important Dimension.
 2.RoHS Compliant.
 3.Cap : Nylon+ GF Black.
 4.Gasket : Silicon.
 5.Tie Bland : Nylon Black.

UNIT:mm	
TOLERANCE	
.X	±0.25
.XX	±0.15
.XXX	±0.05
ANGLES	±1°

DESCRIPTION	Standard Push Lock Type Female Plug Waterproof Cap	
SCALE	1:1	SHEET 1 OF 1
REV.	C1	SIZE A4
		* :Inspection Item



PART NO	806-00062-00	DRAWN BY	Yumer	DATE	2020/05/14
DWG NO		CHECKED BY	Ivan	DATE	2020/05/14
CUSTOMER		APPROVED BY	Panson	DATE	2020/05/14

THIS INFORMATION IS CONFIDENTIAL AND IS DISCLOSED TO YOU ON CONDITION THAT NO FURTHER DISCLOSURE IS MADE BY YOU TO OTHER THAN CHOGORI PERSONNEL WITHOUT AUTHORIZATION FROM CHOGORI CORP.